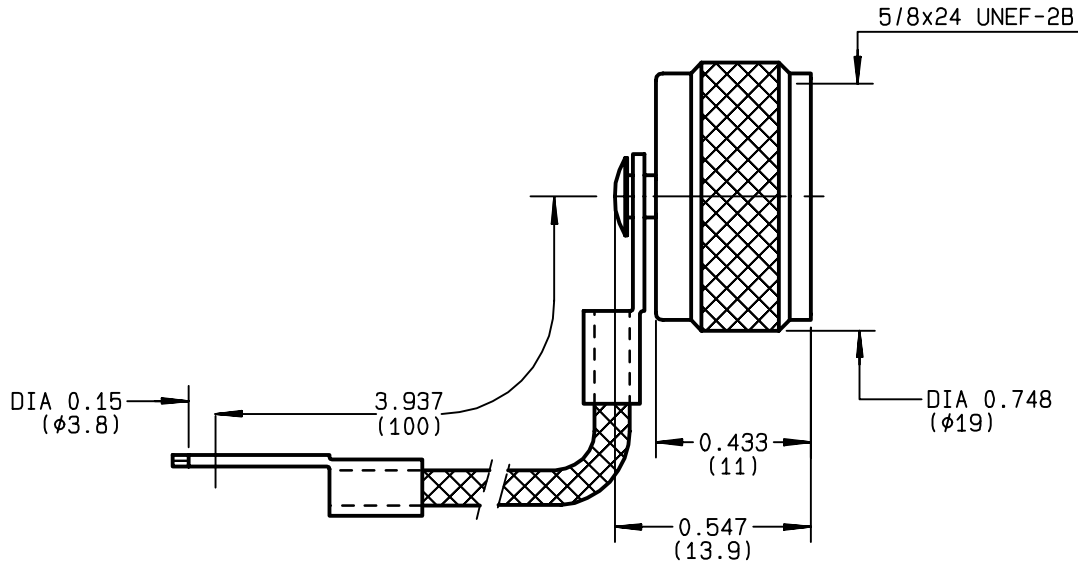


**MALE PROTECTIVE CAP
WITH CORD**

R161.805.000
SERIES N



NOMINAL IMPEDANCE	NA	Ω	CABLES :	
FREQUENCY RANGE	NA	GHz		
TEMPERATURE RATING	-55/+155	°C		
V.S.W.R	NA +	x F(GHz)Maxi		
RF INSERTION LOSS	NA	√F(GHz) dB Maxi		
VOLTAGE RATING	NA	Veff Maxi		
DIELECTRIC WITHSTANDING VOLTAGE	NA	Veff Mini		
INSULATION RESISTANCE	NA	M ΩMini	OTHERS CHARACTERISTICS	
HERMETIC SEAL	NA	Atm.cm ³ /s	CABLE RETENTION	NA N Mini
LEAKAGE (pressurized only)	NA		CENTER CONTACT RETENTION	
MECHANICAL DURABILITY	500	Cycles	Axial force - mating end	NA N Mini
WEIGHT	11	gr	Axial force - opposite end	NA N Mini
SPECIFICATION			Torque	NA cm.N Mini
			RECOMMENDED TORQUES	
			Mating	130 cm.N
			Panel nut	NA cm.N
			Clamp nut	NA cm.N

CONNECTOR PARTS	MATERIALS	FINISH
BODY	BRASS	BLACK-CHROMIUM 0.2 OVER NICKEL 2
OUTER CONTACT		
CENTER CONTACT		
INSULATOR		
GASKET	CHLOROPRENE	
OTHERS PIECES	BRASS	BLACK-CHROMIUM 0.2 OVER NICKEL 2

(all values are given in micrometers)

BONOMINI

ISSUE	CREATION DATE	FILE PART-NUMBER
9816E02	17/06/1993	EPC 96-07



RADIALL®

The information given here is subject to change without notice.
Design changes may be in order to improve the product.

Connect to the future